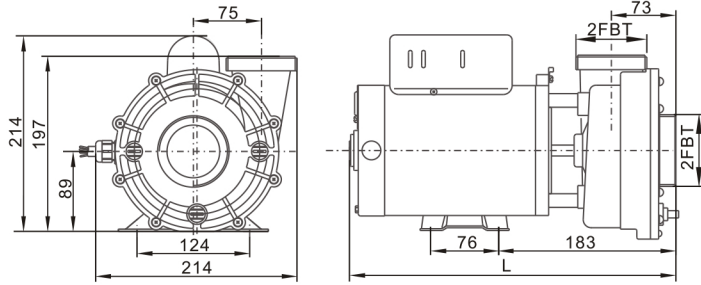
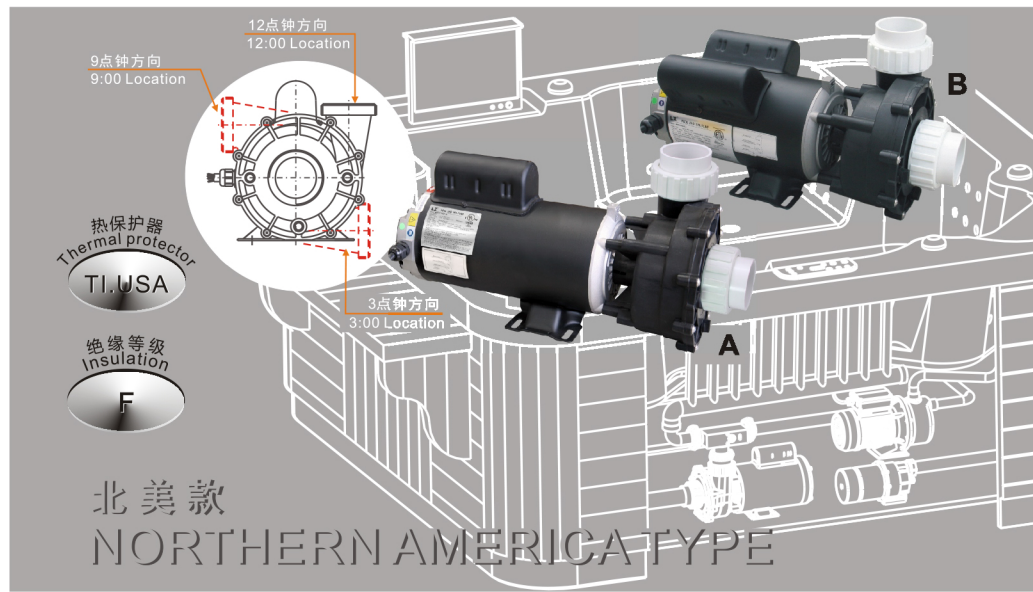
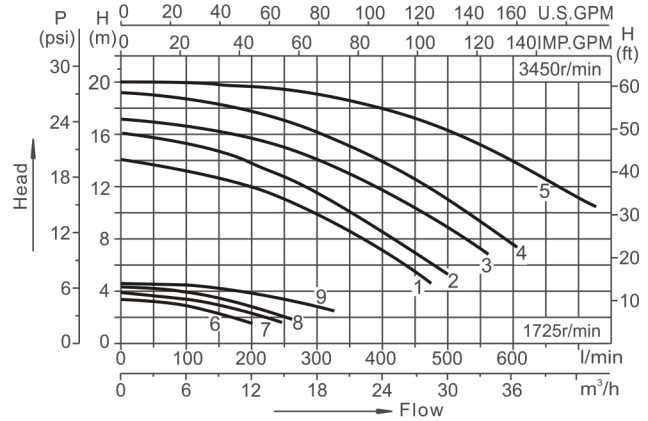


安装外形图 Overall dimension



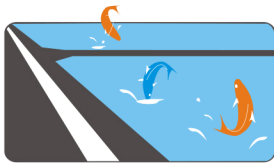
型号 Model	L	外形 Shape
48WUA0753C-I	356	A
48WUA1003C-I	385	A
48WUA1653C-I	408	B
48WUA2002C-I	408	A
48WUA1001C-II	385	B
48WUA1501C-II	408	B
48WUA1002C-II	385	B
48WUA1502C-II	445	B
48WUA2002C-II	445	B

性能曲线 Performance curves



技术参数列表 Technical parameter list

型号 Model	最大流量 Qmax (l/min)	最大扬程 Hmax (m)	曲线 Curves	电压/频率 V/Hz	功率 Power				电流 Amps	接头尺寸 Fitting size (mm)	毛重 G.W (Kg)	包装尺码 Packing size (mm)
					P2	kW	HP	P1				
48WUA0753C-I	460	14	1	115/230-60	0.55	0.75	1.1	1.5	10/5.0	60.3or63	11.6	390×260×275
48WUA1003C-I	500	16	2	115/230-60	0.8	1.0	1.5	2.0	12/6.0	60.3or63	13.3	440×260×275
48WUA1653C-I	600	19	4	115/230-60	1.25	1.65	1.85	2.5	17/8.5	60.3or63	13.5	440×260×260
48WUA2002C-I	720	20	5	230/60	1.5	2.0	2.2	3.0	10	60.3or63	15	440×260×260
48WUA1001C-II	200	3	6	115/60	0.08	0.12	0.18	0.35	(Low speed)3.8	60.3or63	11.7	440×260×275
	460	14	1		0.75	1.0	1.1	1.5	(High speed)10.3			
48WUA1501C-II	245	3.5	7	115/60	0.15	0.18	0.25	0.45	(Low speed)3.8	60.3or63	13.3	440×260×260
	560	17	3		1.1	1.5	1.5	2.0	(High speed)13.8			
48WUA1002C-II	200	3	6	230/60	0.08	0.12	0.18	0.35	(Low speed)2.0	60.3or63	12.5	425×260×275
	460	14	1		0.8	1.0	1.1	1.5	(High speed)5.2			
48WUA1502C-II	260	4.2	8	230/60	0.15	0.18	0.25	0.45	(Low speed)2.6	60.3or63	15.5	475×260×260
	600	19	4		1.1	1.5	1.85	2.5	(High speed)8.0			
48WUA2002C-II	320	4.5	9	230/60	0.2	0.25	0.35	0.65	(Low speed)3.0	60.3or63	16.1	475×260×260
	720	20	5		1.5	2.0	2.2	3.0	(High speed)10			



海水养殖循环过滤
Mariculture circulation filter



SPA池水循环
Recirculation of water in SPA equipment

工作条件

介质温度: 5-50℃
最大工作压力: 0.3MPa

Working conditions

Medium temperature: 5-50℃
Max. working pressure: 0.3MPa

序号 NO.	名称 Name
1	接头螺母 Tie-in Nut
2	接头 Tie
3	O形圈 O-Ring
4	十字槽盘头螺钉和平垫圈组合件 Cross recessed pan head screw and washer assemblies
5	泵盖 Pump Cover
6	O形圈 O-Ring
7	活动口环 Activities Rings

序号 NO.	名称 Name
8	叶轮 Impeller
9	机械密封 Mechanical Seal
10	泵体 Casing
11	电机 Motor

