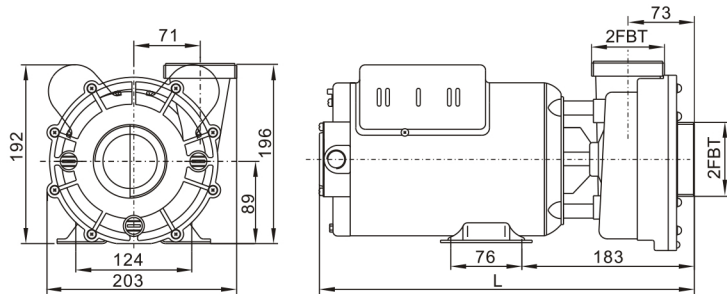


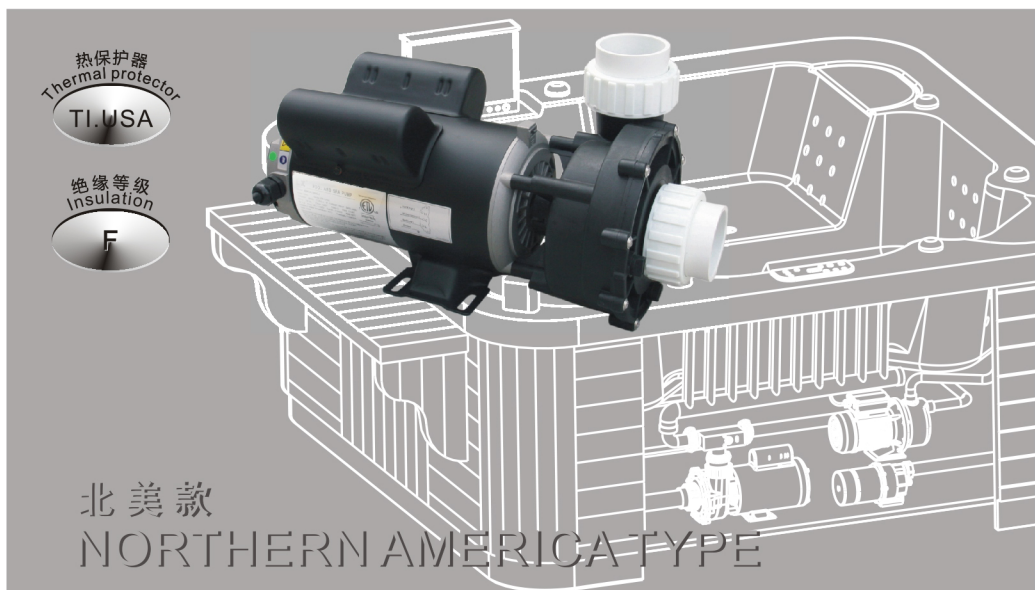
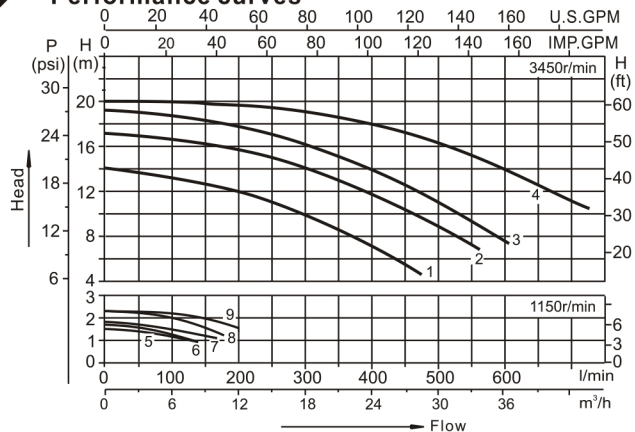
### 安装外形图 Overall dimension



型号 Model	L
48WUA1501-2/6	385
48WUA1502-2/6	385
48WUA2001-2/6	408
48WUA2502-2/6	420
48WUA3002-2/6	420


 SPA池水循环  
Recirculation of water in SPA equipment

### 性能曲线 Performance curves



### 特点

- \* 性能更高，能耗更低；
- \* 以低转速 (1150r/min) 运行，降低了运行温度，寿命长、功耗低；
- \* 超静音操作；
- \* 不需要安装单独循环泵和相关管道；
- \* 超耐用结构；
- \* 安装简易，方便维护

### Feature:

- \* More performance with lower energy costs.
- \* Runs at lower RPM (1150) resulting in cooler running temperatures, longer pump life and lower power consumption.
- \* Super quiet operation
- \* Eliminates the need for a separate circulation pump and associated plumbing.
- \* Ultra -durable construction.
- \* Easy to install and maintain

### 工作条件

介质温度: 5-50℃  
环境温度: <65℃  
最大工作压力: 0.3MPa

### Working conditions

Medium temperature: 5-50℃  
Environmental temperature: ≤65℃  
Max.working pressure: 0.3MPa

### 技术参数列表 Technical parameter list

型号 Model	最大流量 Qmax (l/min)	最大扬程 Hmax (m)	曲线 Curves	电压/频率 V/Hz	功率 Power(P <sub>1</sub> ) kW HP	电流 (Amps)	接头尺寸 Fitting size (mm)	包装尺码 Packing size (mm)
48WUA1501-2/6	135	1.5	5	115/60	0.15 0.2	(Low speed) 1.6	60.3or63	440×260×260
	460	14	1		1.1 1.5	(High speed)10.3		
48WUA1502-2/6	135	1.7	6	230/60	0.15 0.2	(Low speed)0.8	60.3or63	455×255×285
	460	14	1		1.1 1.5	(High speed)5.2		
48WUA2001-2/6	165	1.8	7	115/60	0.18 0.25	(Low speed)1.8	60.3or63	455×255×285
	560	17	2		1.5 2.0	(High speed)13.8		
48WUA2502-2/6	175	2.3	8	230/60	0.18 0.25	(Low speed)0.9	60.3or63	455×255×285
	600	19	3		1.85 2.5	(High speed)8		
	200	2.3	9		0.23 0.3	(Low speed)1.0		
48WUA3002-2/6	200	2.3	9	230/60	0.23 0.3	(Low speed)1.0	60.3or63	455×255×285
	720	20	4		2.2 3.0	(High speed)10		

序号 NO.	名称 Name	序号 NO.	名称 Name
1	接头螺母 Tie-in nut	8	O形圈 O-ring
2	接头 Tie-in	9	活动口环 Activities Rings
3	O形圈 O-ring	10	叶轮 Impeller
4	放水螺塞 Drainage plug	11	机械密封 Mechanical Seal
5	O形圈 O-ring	12	泵壳 Pump Casing
6	十字槽盘头螺钉和平垫圈组合件 Cross recessed pan head screw and washer assemblies	13	电机 Motor
7	泵盖 Pump Cover		

